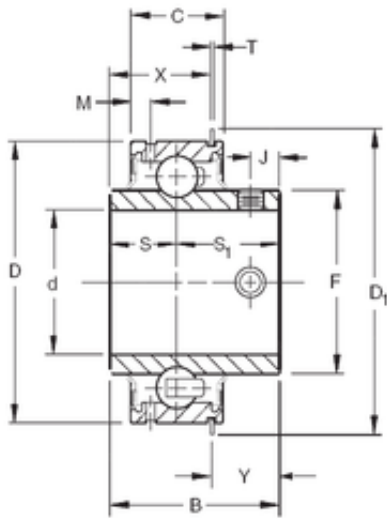




Bearing industry co., Ltd.



80,9625 mm x 140 mm x 77,79 mm TIMKEN ER51 Insert Bearings Cylindrical OD

Bearing No. ER51

Size	80.9625x140x77.79 mm
Bore Diameter	80,9625 mm
Outer Diameter	140 mm
Width	77,79 mm
d	80,9625 mm
D	140 mm
B	77,79 mm
C	42,86 mm
Y	35,32 mm
S1	49,21 mm
X	42,47 mm
D1	149,6 mm
F	98,43 mm
J	13,49 mm
M	11,11 mm
S	28,58 mm
T	2,8 mm
Thread (G)	M12X1,75

ER51 Bearing 2D drawings and 3D CAD models